

VENTUM

Log Gasification Boilers

Ventum log gasification boilers are perfect when you have a good supply of wood and an outbuilding to install the boiler into.

They are batch burners meaning that you fill and light the boiler, leave it to fully burn until there are just embers left, then simply load it up again if required. The heat is stored in a thermal store which provides the space heating and hot water for your building(s).

On the few very cold weeks of the year you might load the boiler 2-3 times in one day, but typically you would light it once a day or less.

They are MCS certified and eligible for the £5000 Boiler Upgrade Scheme grant.



arikazan
comfort starts here

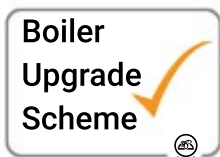


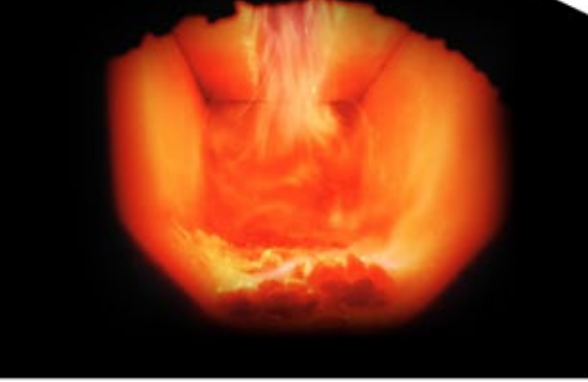
arikazan

VENTUM

Features

- High efficiencies, in excess of 90%
- Easy to use controls
- Built to last, simple to maintain
- Controls the pump to the thermal store
- UK stockist of boilers, parts, and technical support
- Simple handle for cleaning the internal boiler tubes
- Large loading door at a convenient height
- Top mounted fan prevents smoke spillage
- Automatically turns up the fan when you open the door
- Generous capacity = bigger loads of logs = less refuelling
- Overheat protection included





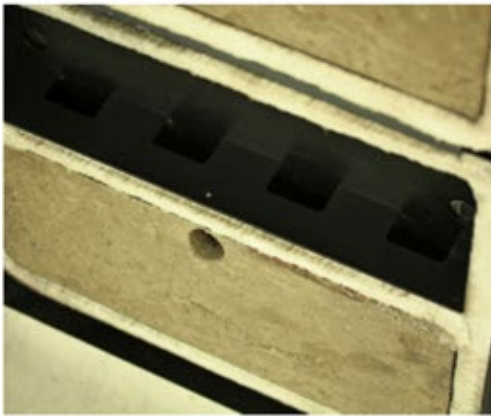
High temperature, efficient gasification



Independently adjustable
Primary and Secondary air inlets



Large loading door at waist level



Special air ducts inside the doors allows
pre-heating combustion air via natural air flow



Robust and years
of proven hinge system



Cleaning made easier by a
simple swing of an external handle



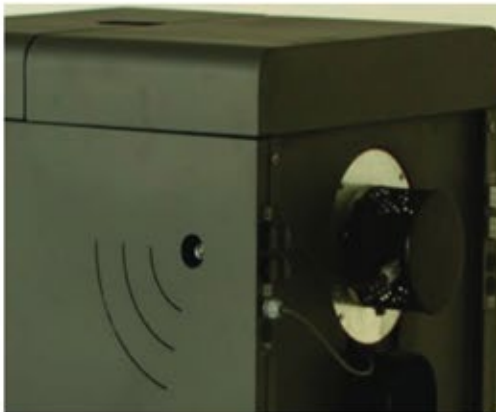
Bypass system automatically
opens when you open the door to stop
smoke leaking out.



Observation window



Overheat protection



The fan sucks air into the boiler which stops smoke
coming out when you open the door.



Easy to use control panel



arikazan

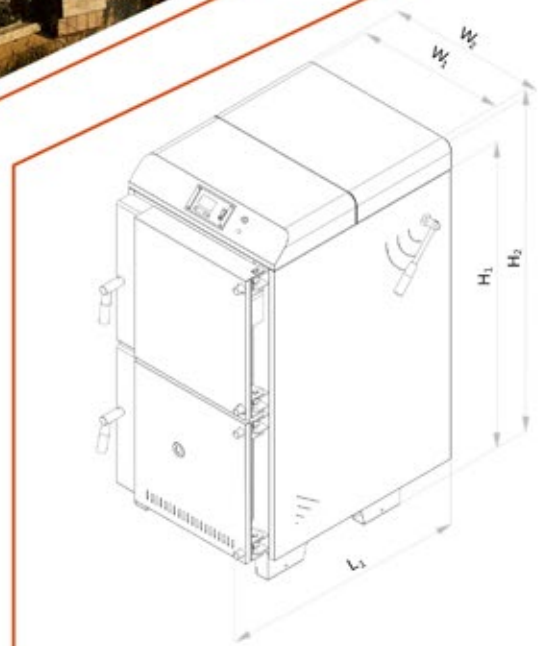
Firepower

Supplied across the UK by Firepower

Firepower.co.uk | 0800 246 1260 | sales@firepower.co.uk



Cross Section of Ventum Boiler



TECHNICAL SPECIFICATIONS

MODEL

		UNIT	VG-20	VG-30	VG-40	VG-60	VG-80	VG-100	
CAPACITY	Nominal Heat Output	kW	20	30	40	60	80	100	
	Direct Efficiency	%	88,8	90,9	91,2	91,2	91,7	92,2	
	Seasonal Efficiency	%	² 77	79	79	80	81	81	
	Energy Efficiency Index	-	113	117	117	117	118	119	
	Energy Efficiency Ratings	-	A+	A+	A+	A+	A+	A+	
OPERATING CONDITIONS	Boiler Class	-	CLASS 5 According to EN 303-5						
	Safety Limit Temperature	°C	97						
	Setting Range of Operating Temperature	°C	85 - 55						
	Min. Water Return Temperature	°C	55						
	Operating Pressure	bar	3						
	Boiler Test Pressure	Production Test / Type Test	4,5 / 6						
	Electrical Connection	-	230 Vac, 50 Hz						
	Recommended Fuel Types	-	Ø80x500 mm		Ø80x700 mm		Ø80x1000 mm 2xØ80x500mm		
			Hard Wood, 15% < Humidity < 30% *						
	Minimum Required Stack Draught	Pa	10						
	Boiler Gas Side Resistance	Pa	125	110	140	230	240	250	
	Boiler Water Side Pressure Drop	DT = 20 °C	mbar	11,0	3,2	5,5	23,0	25,0	28,0
	Fuel Filling Volume	l / kg	89 / 30	113 / 40	137 / 50	200 / 70	385 / 135		
	Tested Combustion Period	h	2						
	Approximately Combustion Period	h	4-5						
Required Accumulation Tank Volume	l	1000	1500	2000	3000	4500	5500		
Airborne Noise Level	dB	< 60 dB							
MAIN DIMENSIONS	Flue outlet size / min chimney diameter	mm	125 / 150		150 / 175		175 / 200		
	W ₁ , Total Width with Cover Plates	mm	650				700		
	L ₁ , Boiler Length	mm	1060			1360	1635	1805	
	H ₁ , Boiler Height	mm	1060	1210	1310	1360	1610		
	H ₂ , Total Height	mm	1165	1315	1415	1465	1715		
	Water Content	l	90	104	114	168	285	345	
	Approximate Empty Weight	kg	385	425	450	600	860	960	